

Akhil Madhani

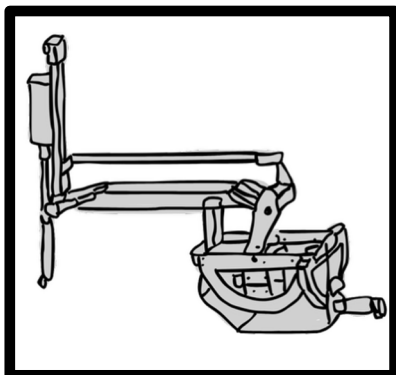
(b. 1965)

**Mechanical
Engineer, Research
Scientist**

Indian American

Place of Birth: Nairobi,
Kenya

Invention: Black Falcon



Mary Angelique Manzano (SFSU 2024)

Akhil was born in Kenya and moved to the United States when he was two. As a child, he loved building rockets with his brother. His dad was a doctor who inspired him with big ideas. At MIT, Akhil saw a video about robot surgery and invented Black Falcon, a robotic arm that helps doctors do safer, less invasive operations. He even practiced on chicken from the store! Akhil won big awards like the Lemelson-MIT Prize for Invention and Innovation in 1998. He has worked at Disney making robots like “Lucky” the dinosaur and “Wall-E,” earned six patents, and has also worked with NASA.